

**Pressure transmitter Model S-20**

**Modelcode type: S-20**

**Item number: 52375374**

**MEASURING RANGE**

Pressure range	0 ... 750 psig
Overpressure safety	2 times
Vacuum tightness	yes

**OUTPUT SIGNAL**

Signal output	4...20 mA, 2-wire
Permissible load in ?	? (power supply - 7.5 V) / 0.023 A

**POWER SUPPLY**

Power supply	DC 8...35 V
Total current consumption	Current signal, max. 25 mA

**ACCURACY INFORMATION**

non-linearity	0.25% BFSL
Accuracy at calibration temperature	? ±0.5 % of span
Long-term drift	? ±0.1 % of span
without additional error at calibration temperature	yes

**TEMPERATURE ERROR**

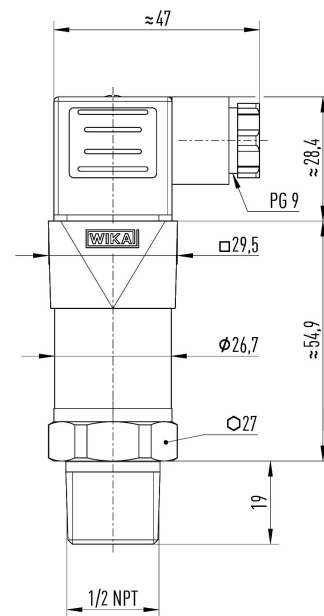
Temperature error -20 ... +80°C	1 %
Temperature error -30 ... +100°C	1.5 %

**OPERATING ENVIRONMENT CONDITIONS**

permitted media temperature	-30...+100°C
Storage and transport temperature	-40 ... +70°C
shock and vibration resistance	100 g shock, 20 g vibration
Service life	100 million load cycle

**PROCESS CONNECTION**

Process Connection	1/2 NPT
Sealing	without
Pressure port	D 2.5 mm



**Pressure transmitter Model S-20**

**Modelcode type: S-20**

**Item number: 52375374**

**ELECTRICAL CONNECTION**

Electrical connection	angular connector DIN 175301 -803 A
tailoring electrical connection	mating connector included
Ingress protection	IP 65
pin assignment el. connection	U+=1, U-=2
	-30 ... +100 °C (-22 ... +212 °F)
item based datasheet headlines	ELECTRICAL SAFETY
Short-circuit resistance	S+ vs. U-
Reverse polarity protection	U+ vs. U-
Insulation voltage	DC 750 V

**CE-CONFORMITY, APPROVALS AND CERTIFICATES**

CE conformity	PED 2014/65/EU
CE conformity2	EMC 2014/30/EU
CE-Konformität Teil3	RoHS 2011/65/EU
Approvals	cULus